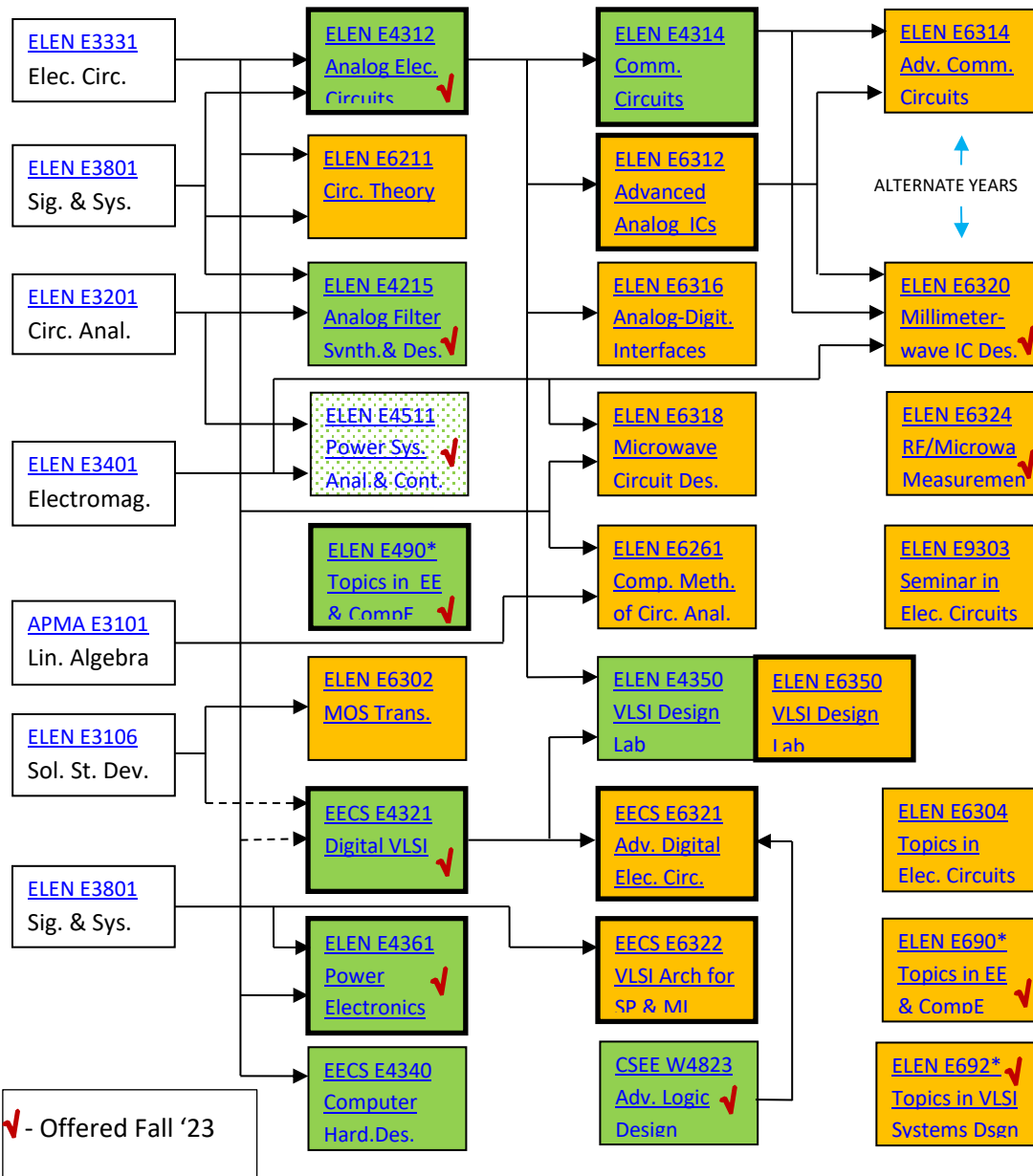


INTEGRATED CIRCUITS AND SYSTEMS & ELECTRONICS

Senior/graduate & Advanced graduate courses in EE



Green = Senior/grad; Orange = Adv. graduate; Bold border = offered regularly;
 Attached courses = shared lectures; Updated July 2023

Recent topics for ELEN E6304, ELEN E6920, & other related topics courses: (Red=Offered Fall '23)

- ELEN E4901 Topic: Photovoltaic Sys Eng and Sustain (Fall '21-23)
- ELEN E4904 Topic: Battery Management Systems (Fall '22)
- ELEN E6901 Topic: Energy Storage for the Electric Grid (Fall '23)
- ELEN E6903 Topic: Nanoelectronic Device Simulations (Fall '19)

- ELEN E6903 Topic: TPC: Advanced Topics in IC Design (Spring '21)
- ELEN E6908 Topic: Cyber-Physical Systems (Spring '19)
- ELEN E6920 Topic: Mod Pwr Mngmt Interg Cir (Fall '21-'23)