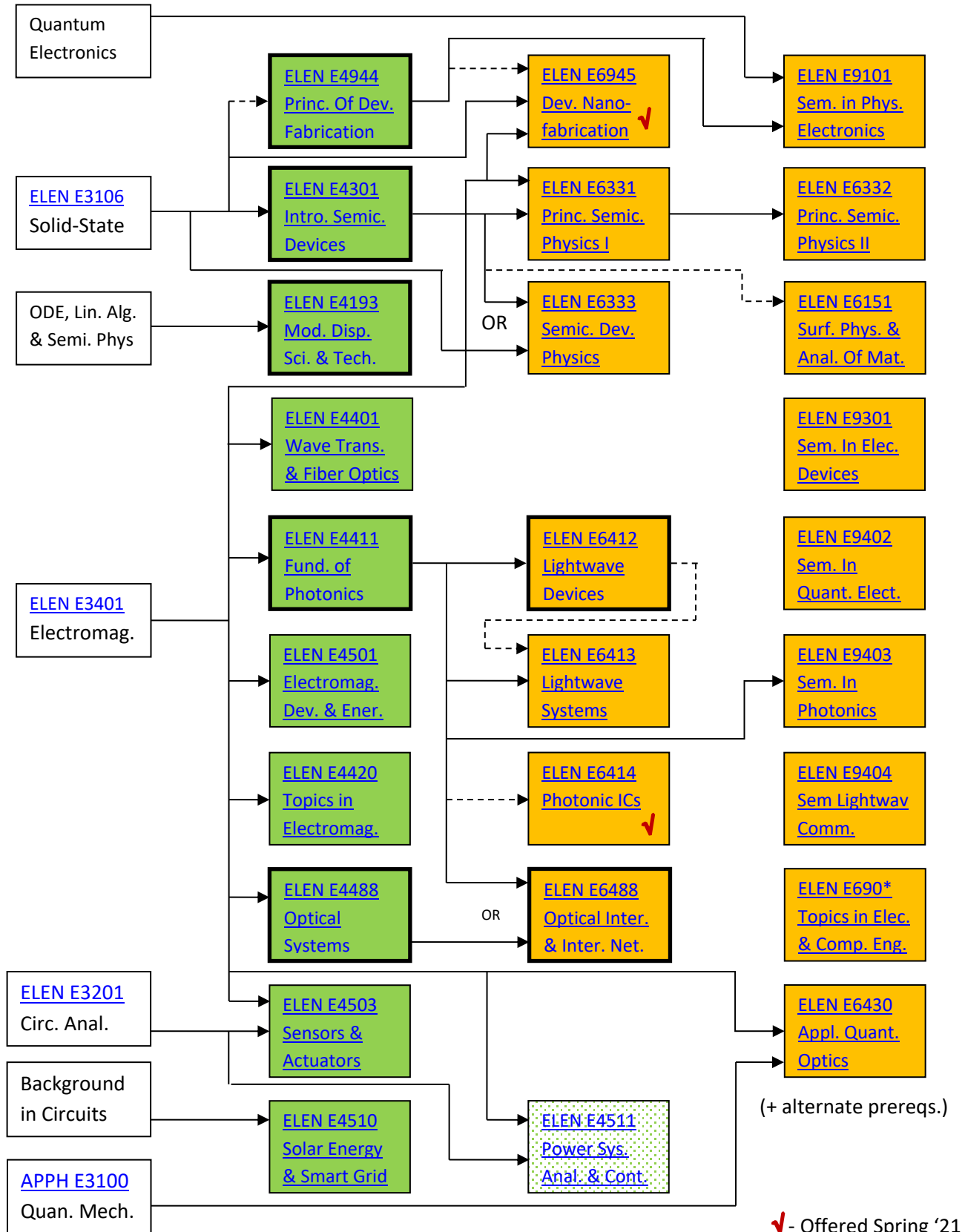


INTEGRATED DEVICES & PHOTONICS
Senior/graduate & Advanced graduate courses in EE



Green = Senior/grad; Orange = Advanced graduate; Bold border = offered regularly;
Dotted lines = recommended preparation; Updated DEC 2020;

Recent related topics courses: ELEN E6905 Topic: Computational Photonics & Quatum Electronics (Fall '17)
ELEN E6906 Topic: Low-Dimensional Nanoelectronics (Spring '15)
ELEN E6907 Topic: Emerging Nanoelectronic Devices (Fall '19, '13-'17)
ELEN E9301 Topic: Theory & Practice of Device Scaling (Spring '17)