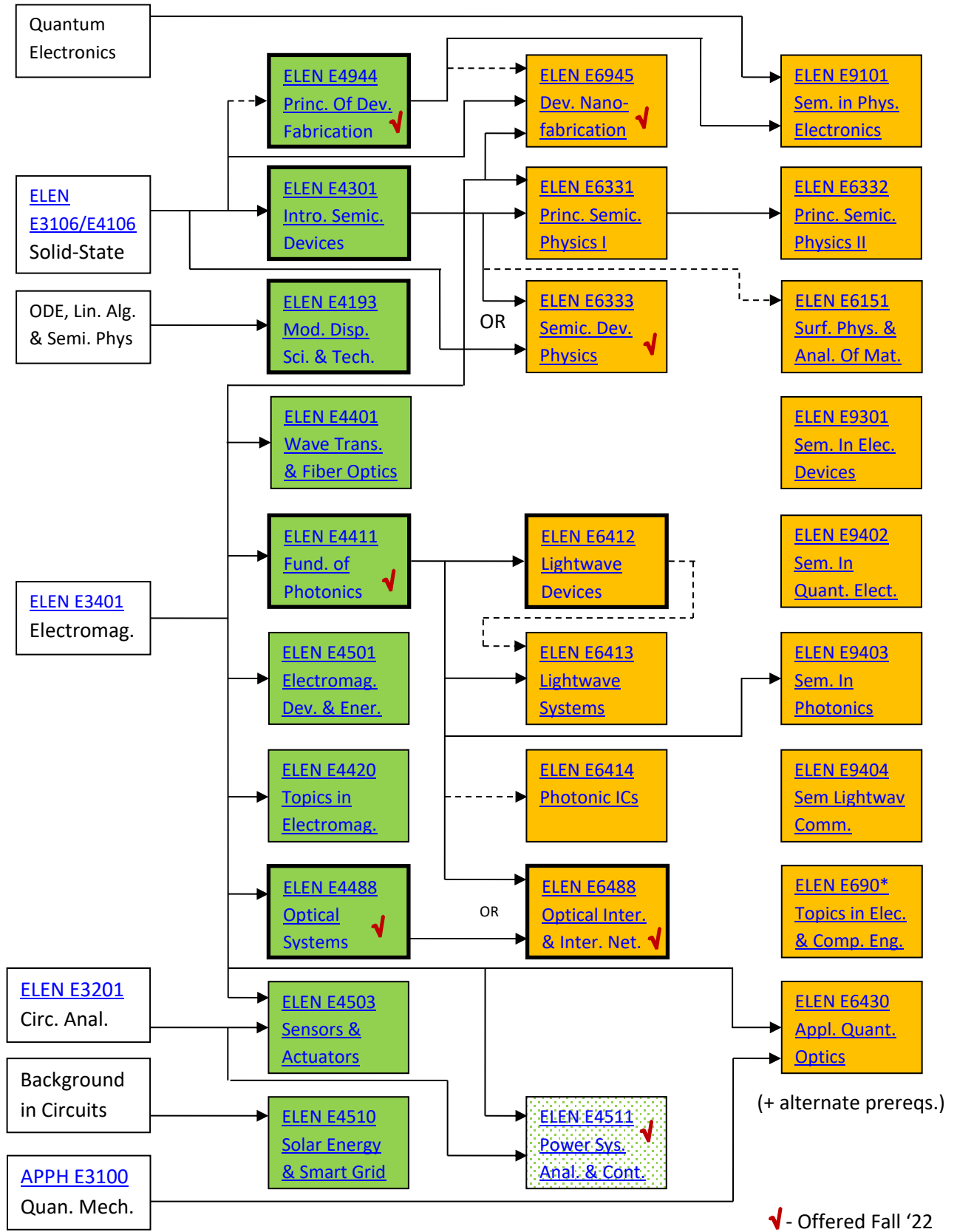


INTEGRATED DEVICES & PHOTONICS
Senior/graduate & Advanced graduate courses in EE



✓ - Offered Fall '22

Green = Senior/grad; Orange = Advanced graduate; Bold border = offered regularly;
Dotted lines = recommended preparation; **Updated July 2022**

Recent related topics courses: ELEN E6905 Topic: Computational Photonics & Quatum Electronics (*Fall '17*)
ELEN E6906 Topic: Low-Dimensional Nanoelectronics (*Spring '15*)
ELEN E6907 Topic: Emerging Nanoelectronic Devices (*Fall '19, '13-'17*)
ELEN E9301 Topic: Theory & Practice of Device Scaling (*Spring '17*)