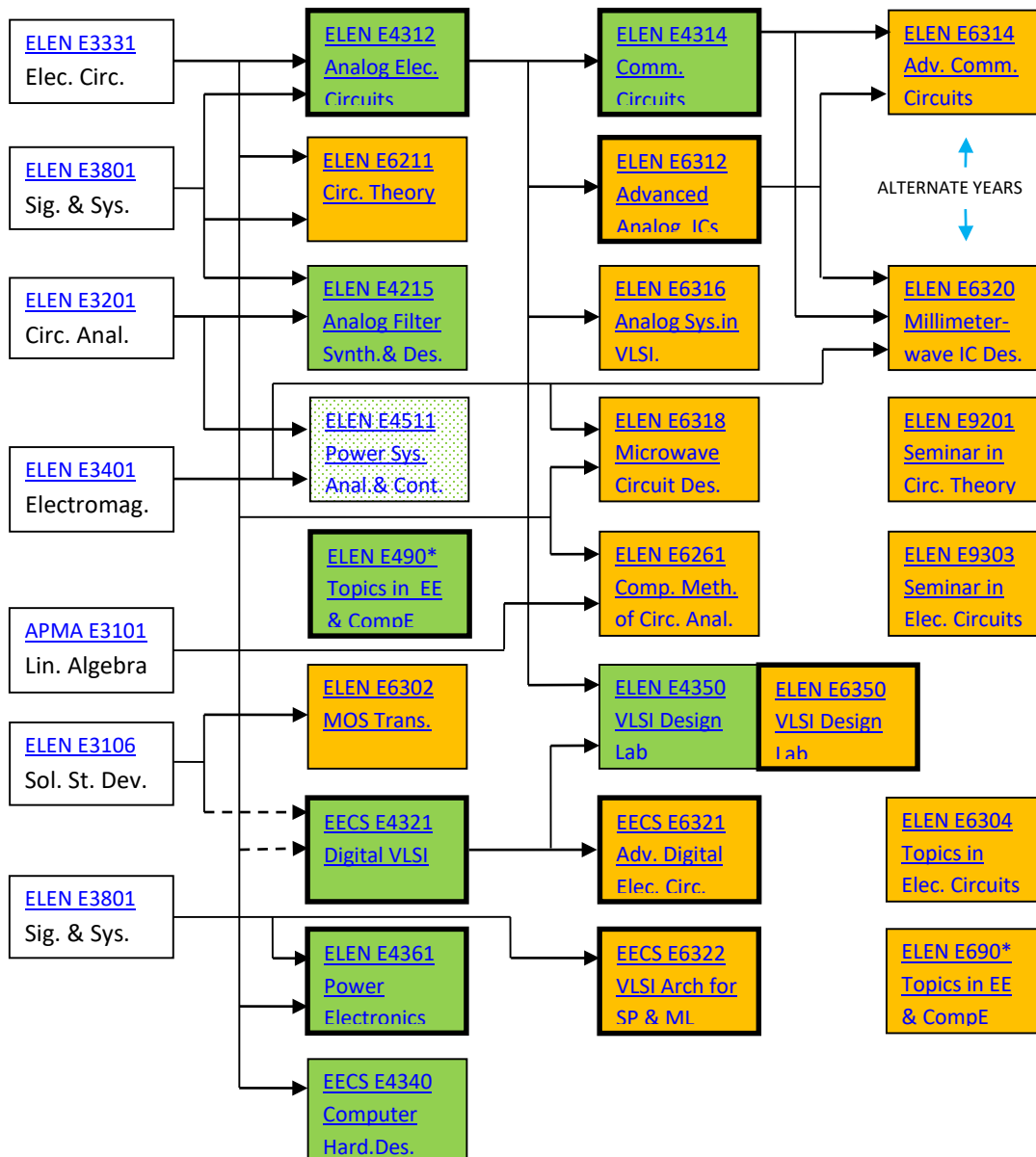


# INTEGRATED CIRCUITS AND SYSTEMS & ELECTRONICS

Senior/graduate & Advanced graduate courses in EE



Green = Senior/grad; Orange = Adv. graduate; Bold border = offered regularly;  
Attached courses = shared lectures; Updated AUG 2018

## Recent topics for ELEN E6304, ELEN E6920, & other related topics courses:

ELEN E4901 Topic: Mobile App Dev. w/ Android (Fall '15)  
 ELEN E4904 Topic: Mobile Cloud (Fall '16)  
 ELEN E4905 Topic: Cyber Security (Fall '17)  
 ELEN E6900 Topic: Mul core Proc. Plat. (Spring '10, Fall '09)  
 ELEN E6901 Topic: Adv. in PLLs (Fall '14, Spring '10)  
 ELEN E6902 Topic: Renew. Power Sys. (Fall '14)  
 ELEN E6903 Topic: Power Amp & Trans. Circ. (Fall '11)  
 ELEN E6903 Topic: Princ. RF & Microwave Meas. (Fall '18, '17, '15)

ELEN E6904 Topic: Motor Drive Systems (Fall '17)  
 ELEN E6907 Topic: Emerging Nano Devices (Fall '14, '13)  
 ELEN E6908 Topic: Nanoscale Electronics (Spring '11)  
 ELEN E6304 Topic: Intro to Power Electronics (Spring '10)  
 ELEN E6920 Topic: Introduction to VLSI Testing (Fall '10)  
 ELEN E6920 Topic: VLSI for Sig. Proc. (Fall '15, '14)