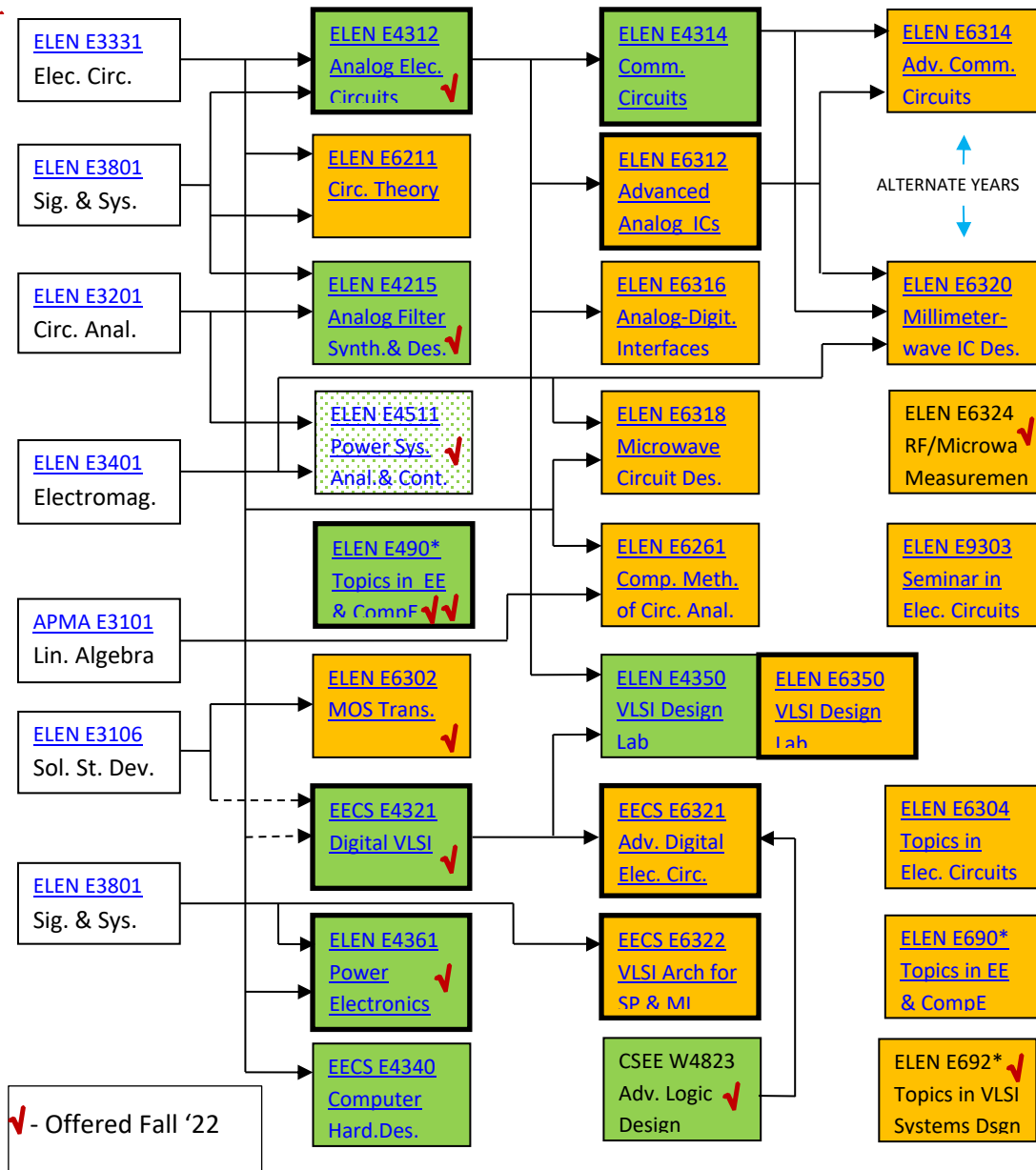


INTEGRATED CIRCUITS AND SYSTEMS & ELECTRONICS

Senior/graduate & Advanced graduate courses in EE



Green = Senior/grad; Orange = Adv. graduate; Bold border = offered regularly;
 Attached courses = shared lectures; Updated July 2022

Recent topics for ELEN E6304, ELEN E6920, & other related topics courses: (Red=Offered Fall '22)

- ELEN E4901 Topic: Mobile App Dev. w/ Android (Fall '15)
- ELEN E4901 Topic: Photovoltaic Sys Eng and Sustain (F'22, '21)
- ELEN E4904 Topic: Mobile Cloud (Fall '16)
- ELEN E4904 Topic: Battery Management Systems (F '22)
- ELEN E4905 Topic: Cyber Security (Fall '17)
- ELEN E6900 Topic: Multicore Proc. Plat. (Spr'10, Fall '09)
- ELEN E6901 Topic: Adv. in PLLs (Fall '14, Spr'10)
- ELEN E6902 Topic: Renew. Power Sys. (Fall '14)
- ELEN E6903 Topic: Power Amp & Trans. Circ. (Fall '11)
- ELEN E6903 Topic: Princ. RF & Microwave Meas. (Fall '15)
- ELEN E6903 Topic: Nanoelectronic Device Simulations (F '19)

- ELEN E6903 Topic: TPC: Advanced Topics in IC Design (S '21)
- ELEN E6904 Topic: Motor Drive Systems (Fall '17)
- ELEN E6907 Topic: Emerging Nano Devices (Fall '14, '13)
- ELEN E6908 Topic: Nanoscale Electronics (Spr'11)
- ELEN E6908 Topic: Cyber-Physical Systems (Spring '19)
- ELEN E6304 Topic: Intro to Power Electronics (Spr'10)
- ELEN E6920 Topic: Introduction to VLSI Testing (Fall '10)
- ELEN E6920 Topic: VLSI for Sig. Proc. (Fall '15, '14)
- ELEN E6920 Topic: Mod Pwr Mngmt Interg Cir (Fall '22, '21)