

Computer Engineering & Computer Systems

Prof. Asaf Cidon

Computer Systems

Software

Computer
Science

Computer Engineering

Hardware

Electrical
Engineering

Distributed Systems

Security

Cloud Computing

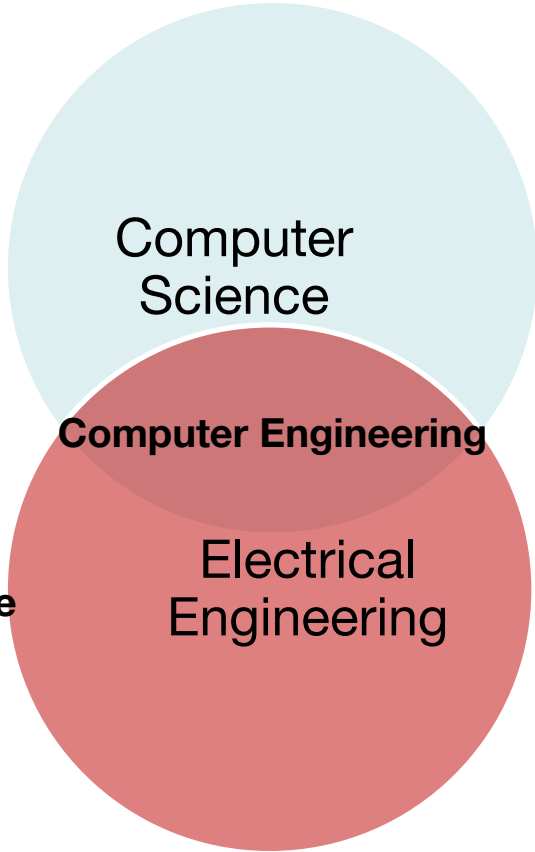
Networked Systems

IoT/CPS

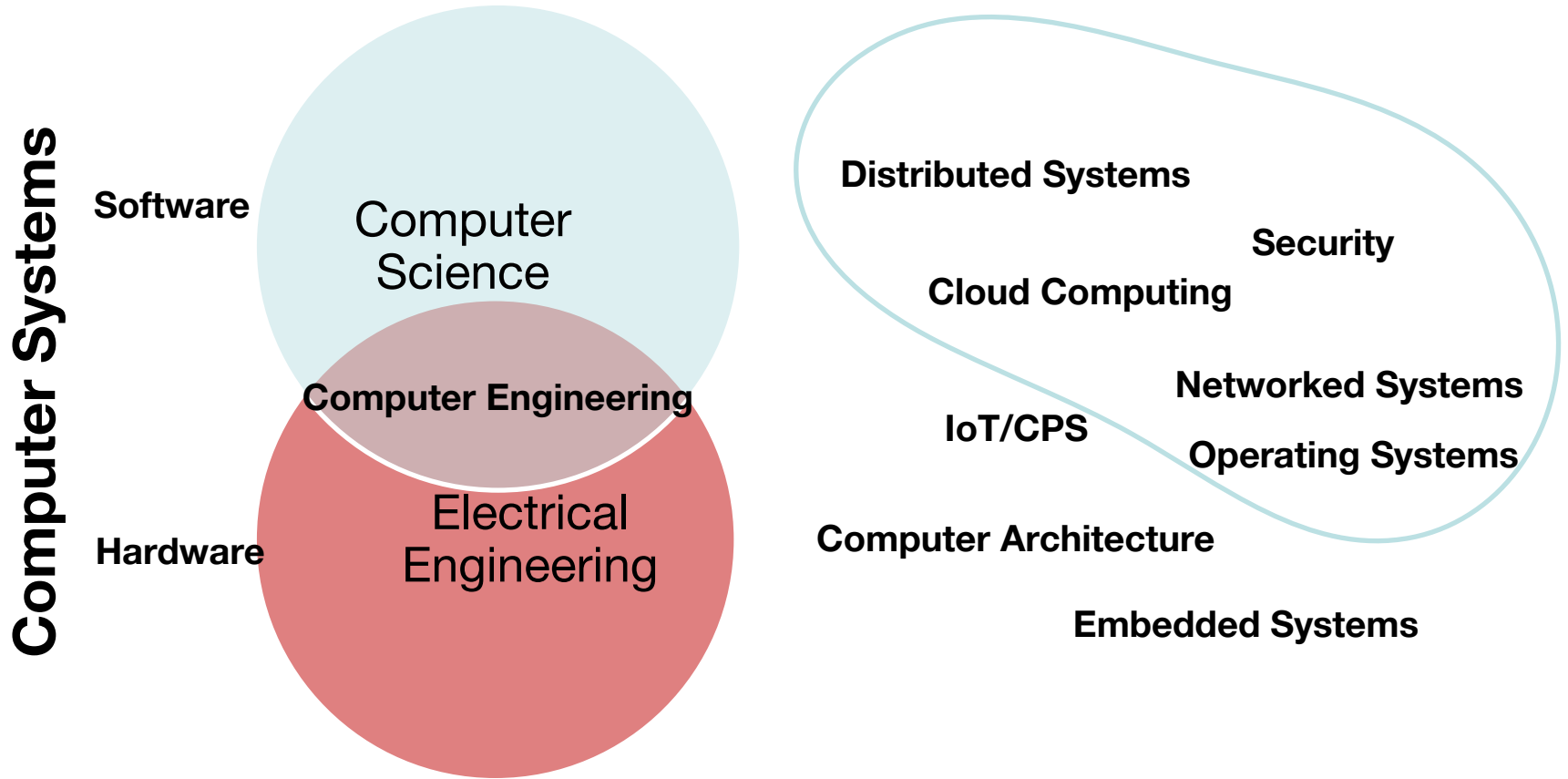
Operating Systems

Computer Architecture

Embedded Systems



(mostly) Software Systems



COMPUTER ENGINEERING AND COMPUTER SYSTEMS
 (Senior/graduate & Advanced graduate courses in EE)

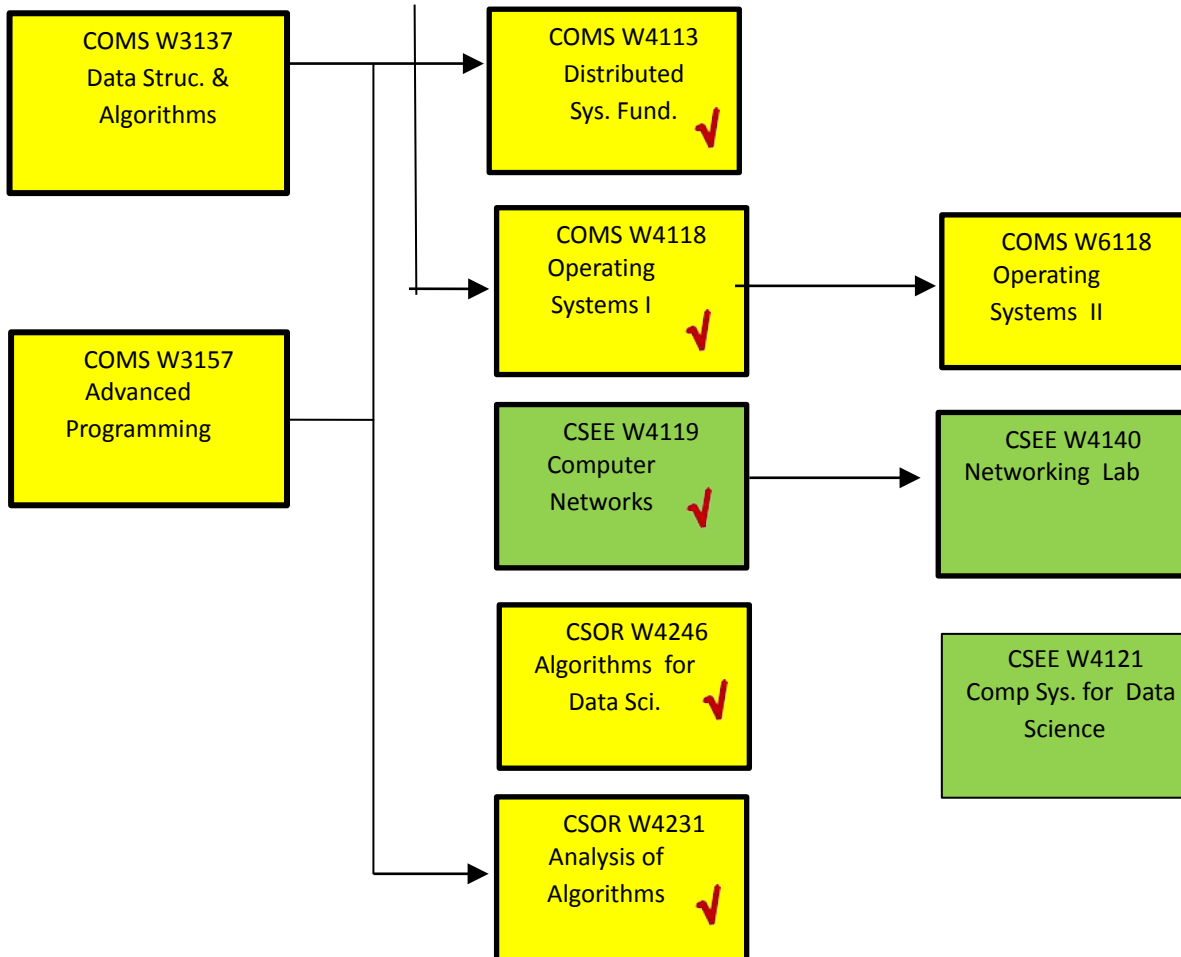
Legend

✓ offered Fall '22

Green=
senior/grad

Orange=
advanced grad

Yellow=
outside EE



EECS E689*
Cloud Data
Infrastructure ✓

ELEN E 677*
Topic in
Networking ✓

EECS E6*
Advanced
Networking

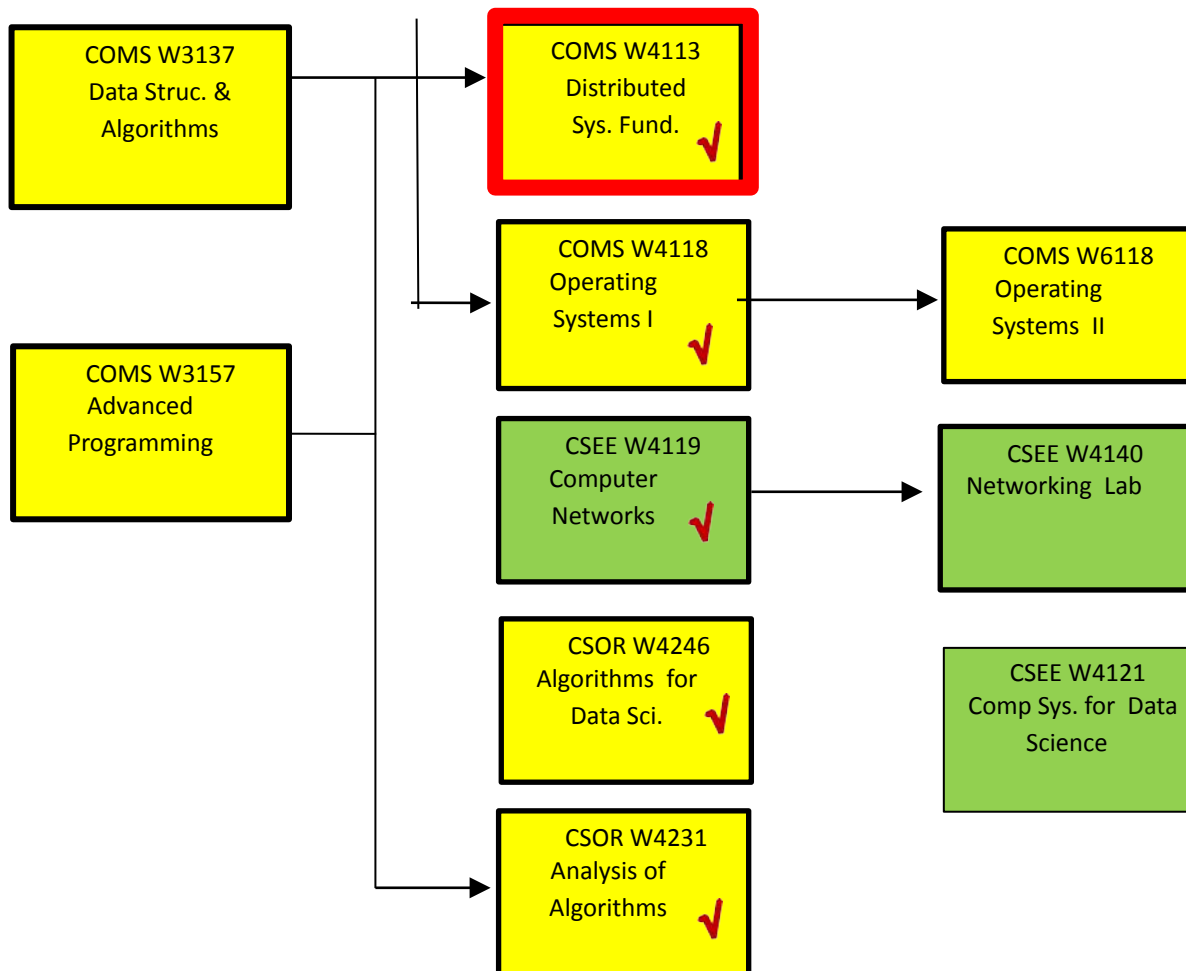
✓ - Offered Fall '22

Distributed Systems

Green=
senior/grad

Orange=
advanced grad

Yellow=
outside EE



EECS E689*
Cloud Data
Infrastructure ✓

ELEN E 677*
Topic in
Networking ✓

EECS E6*
Advanced
Networking

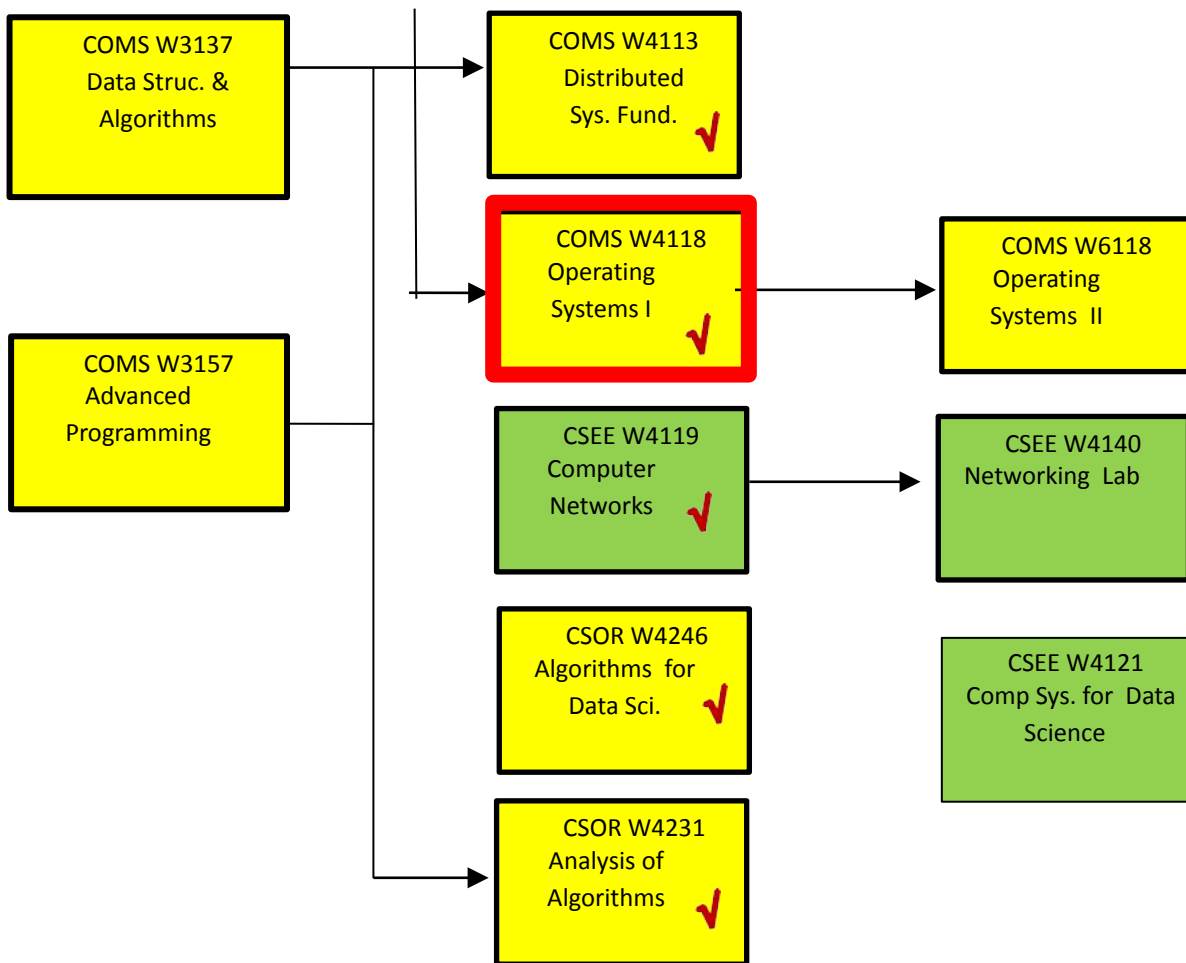
✓ - Offered Fall '22

Operating Systems

Green=
senior/grad

Orange=
advanced grad

Yellow=
outside EE



EECS E689*
Cloud Data
Infrastructure ✓

ELEN E 677*
Topic in
Networking ✓

EECS E6*
Advanced
Networking

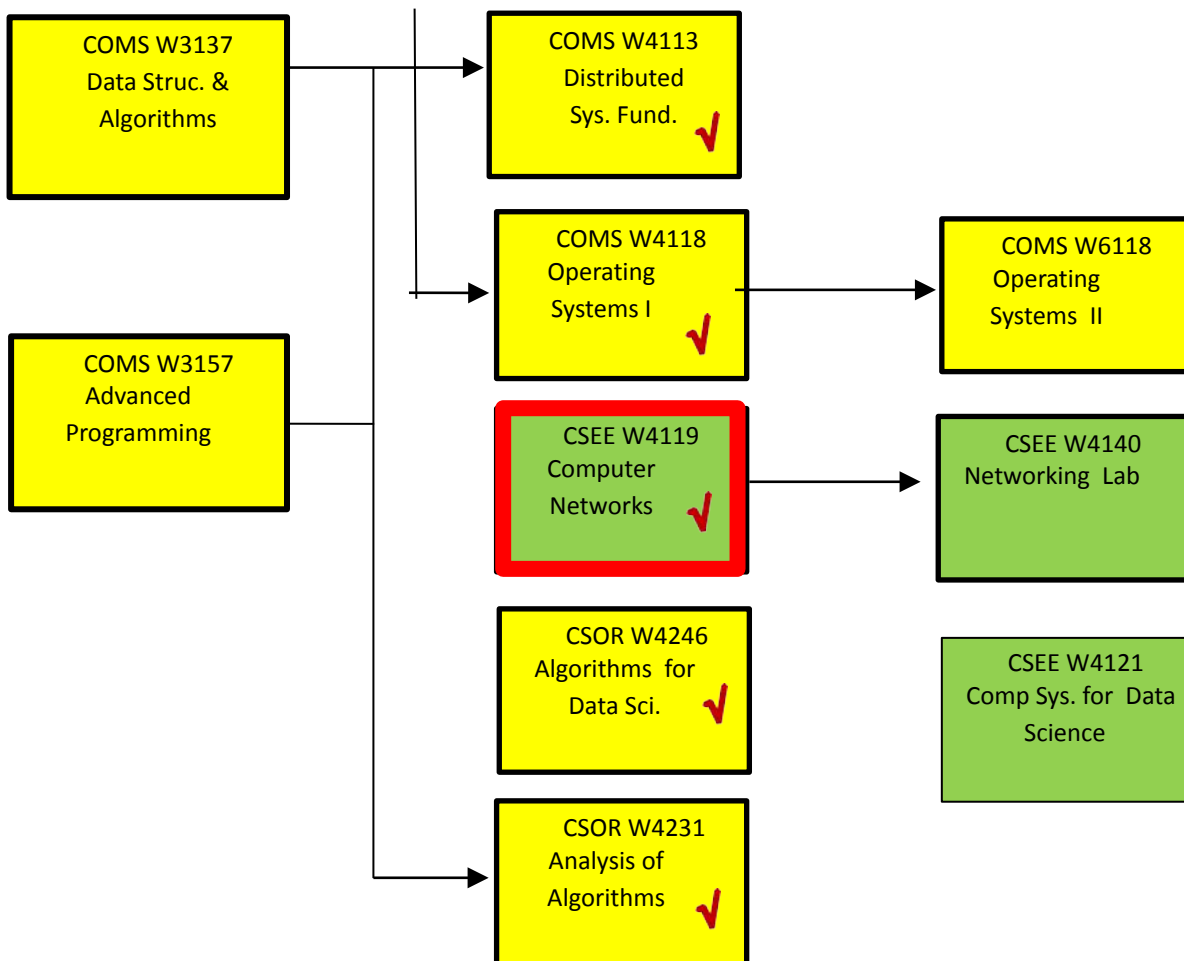
✓ - Offered Fall '22

Computer Networks

Green=
senior/grad

Orange=
advanced grad

Yellow=
outside EE



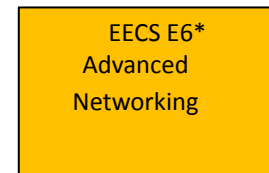
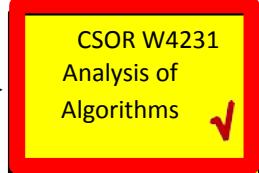
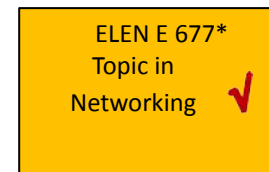
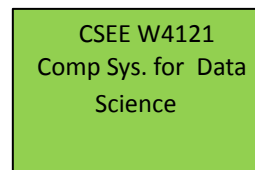
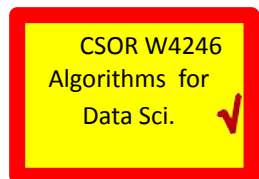
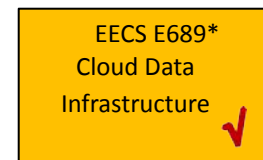
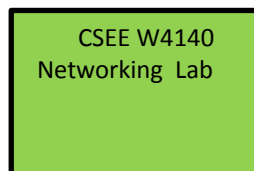
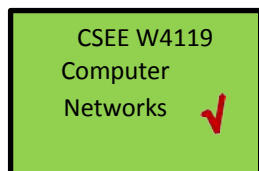
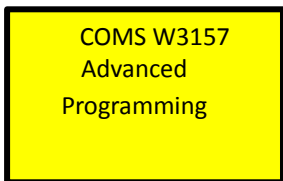
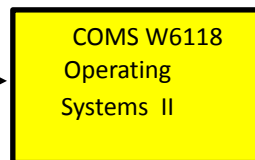
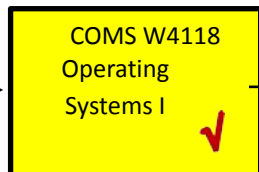
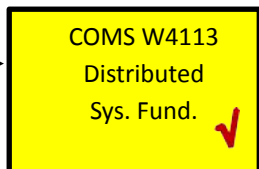
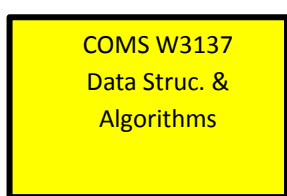
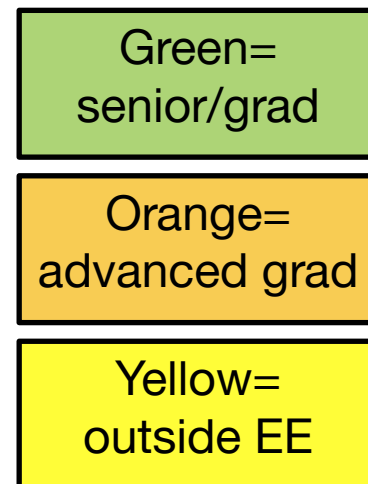
EECS E689*
Cloud Data
Infrastructure ✓

ELEN E 677*
Topic in
Networking ✓

EECS E6*
Advanced
Networking

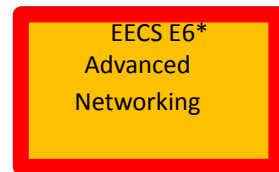
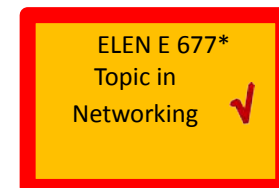
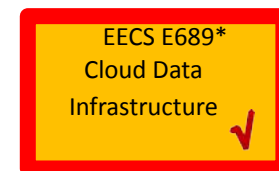
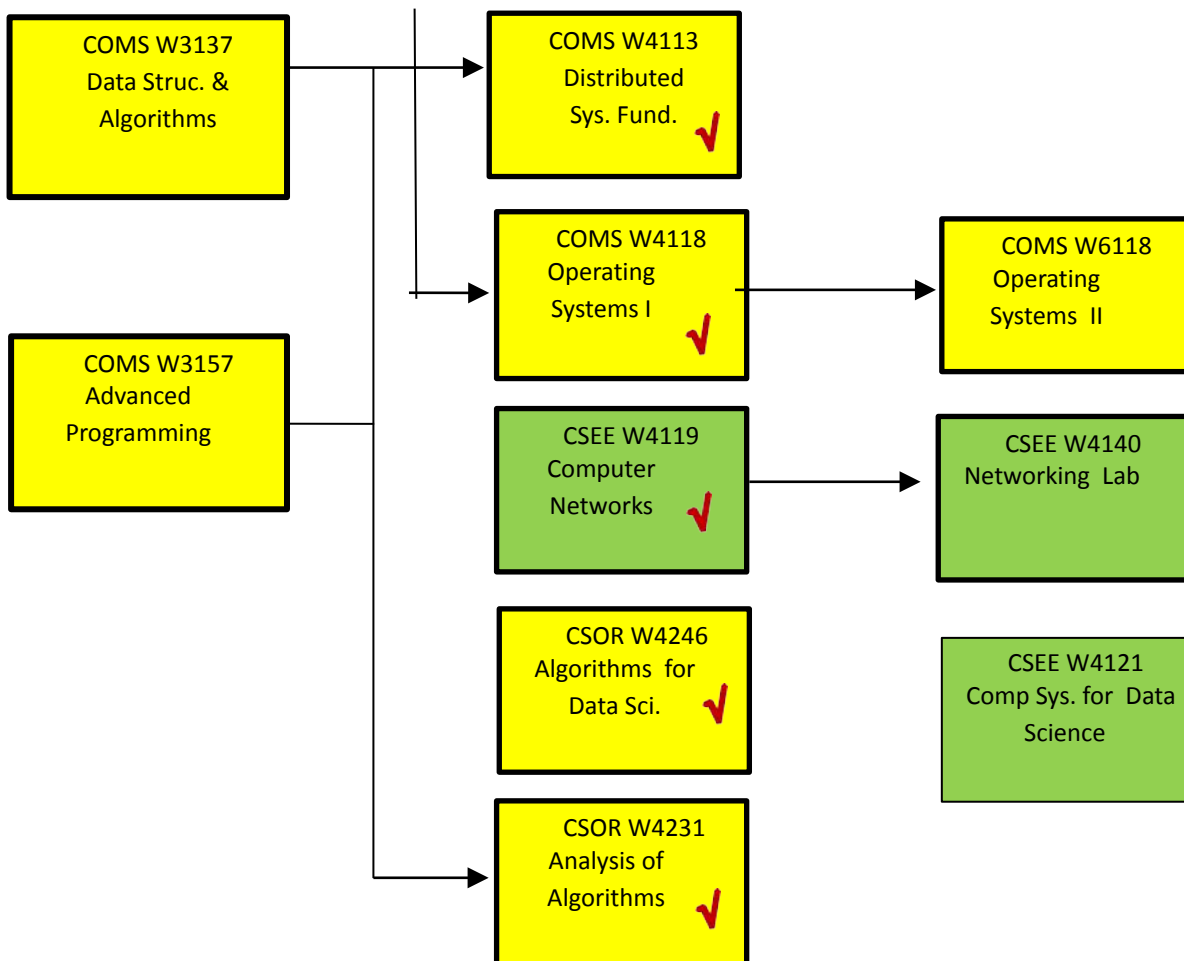
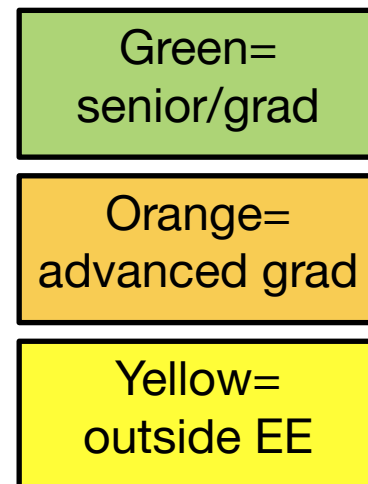
✓ - Offered Fall '22

Algorithms Classes



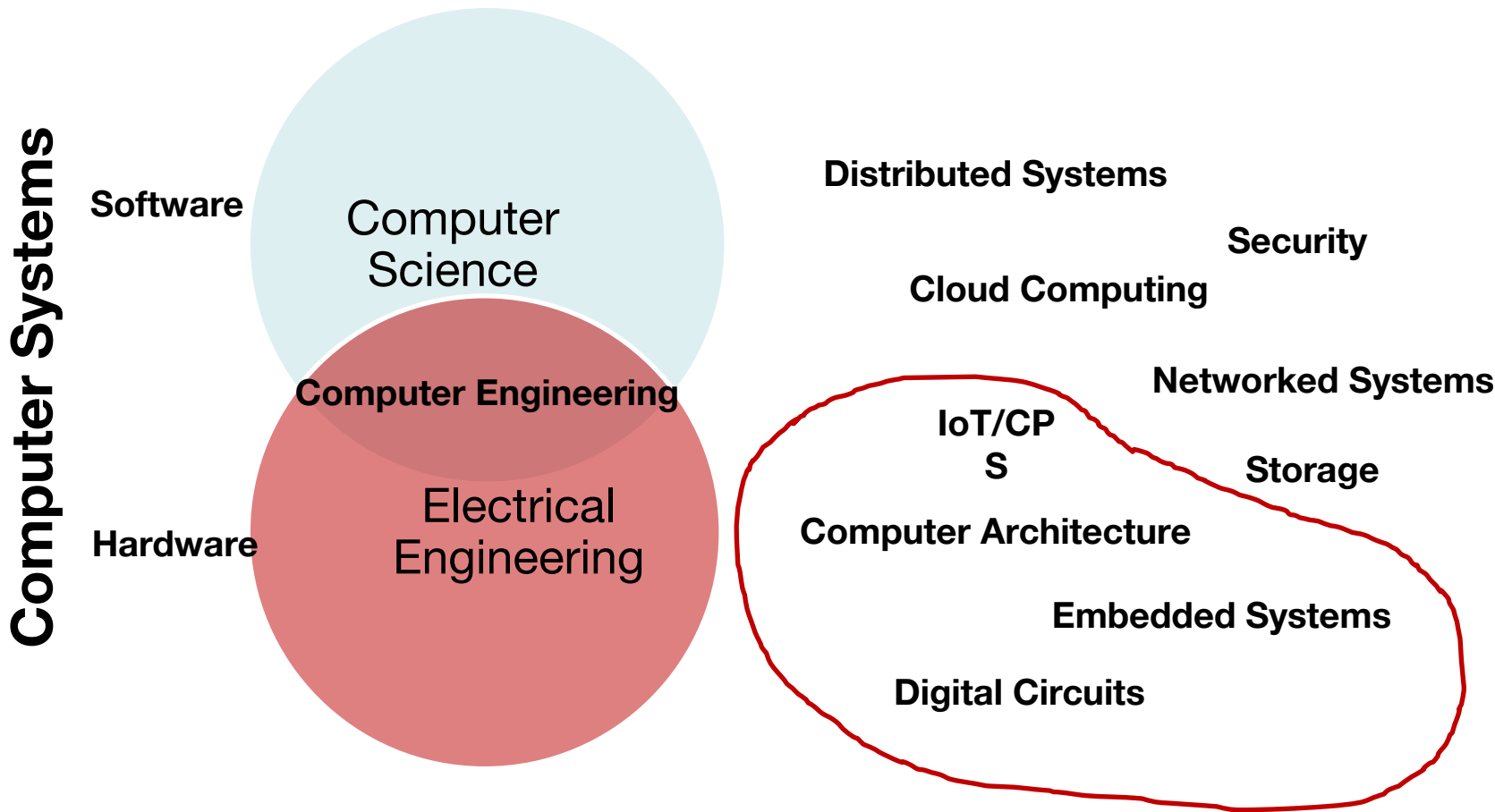
✓ - Offered Fall '22

Advanced Classes



✓ - Offered Fall '22

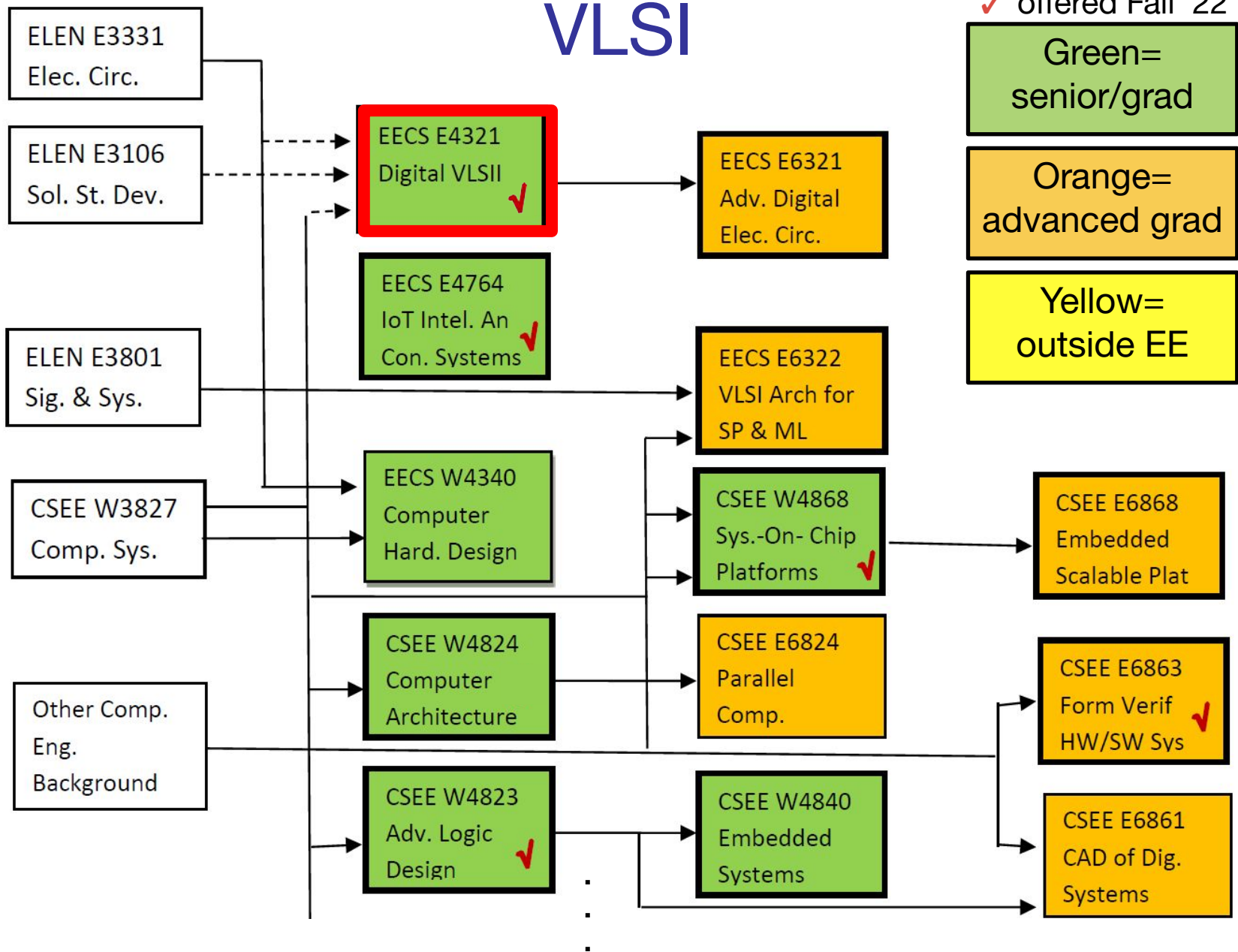
(mostly) Hardware Systems



COMPUTER ENGINEERING AND COMPUTER SYSTEMS

(Senior/graduate & Advanced graduate courses in EE)

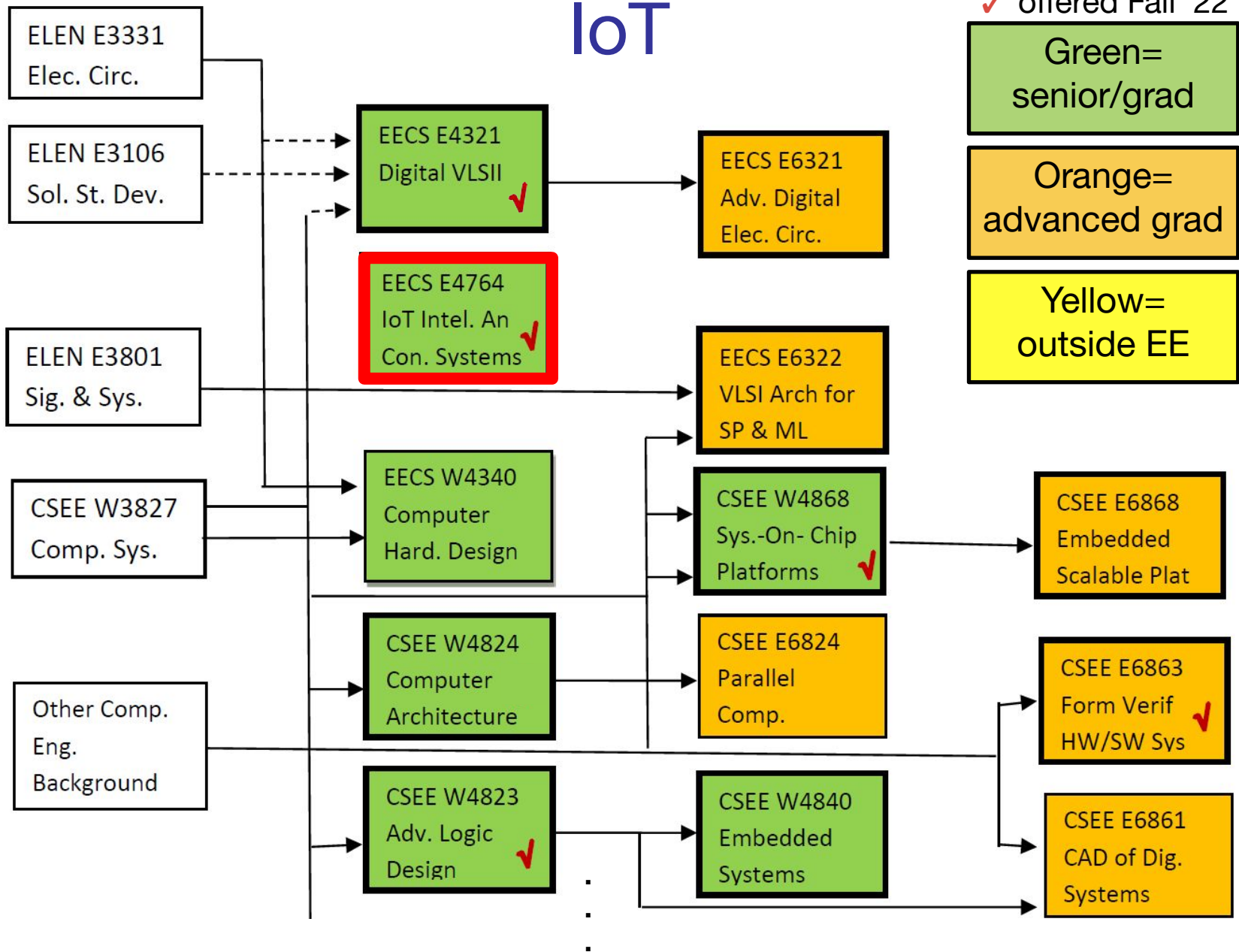
VLSI



COMPUTER ENGINEERING AND COMPUTER SYSTEMS

(Senior/graduate & Advanced graduate courses in EE)

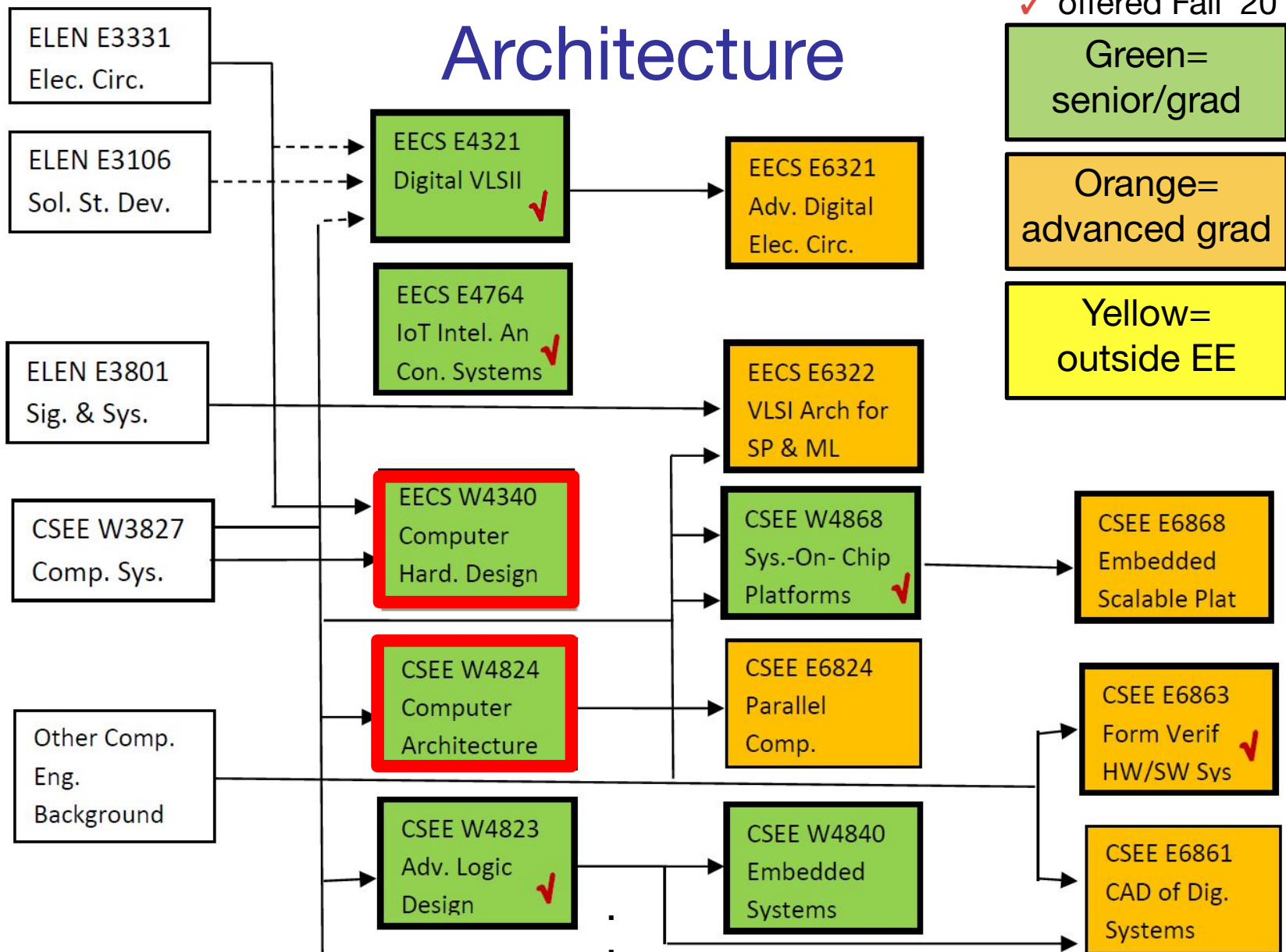
IoT



COMPUTER ENGINEERING AND COMPUTER SYSTEMS

(Senior/graduate & Advanced graduate courses in EE)

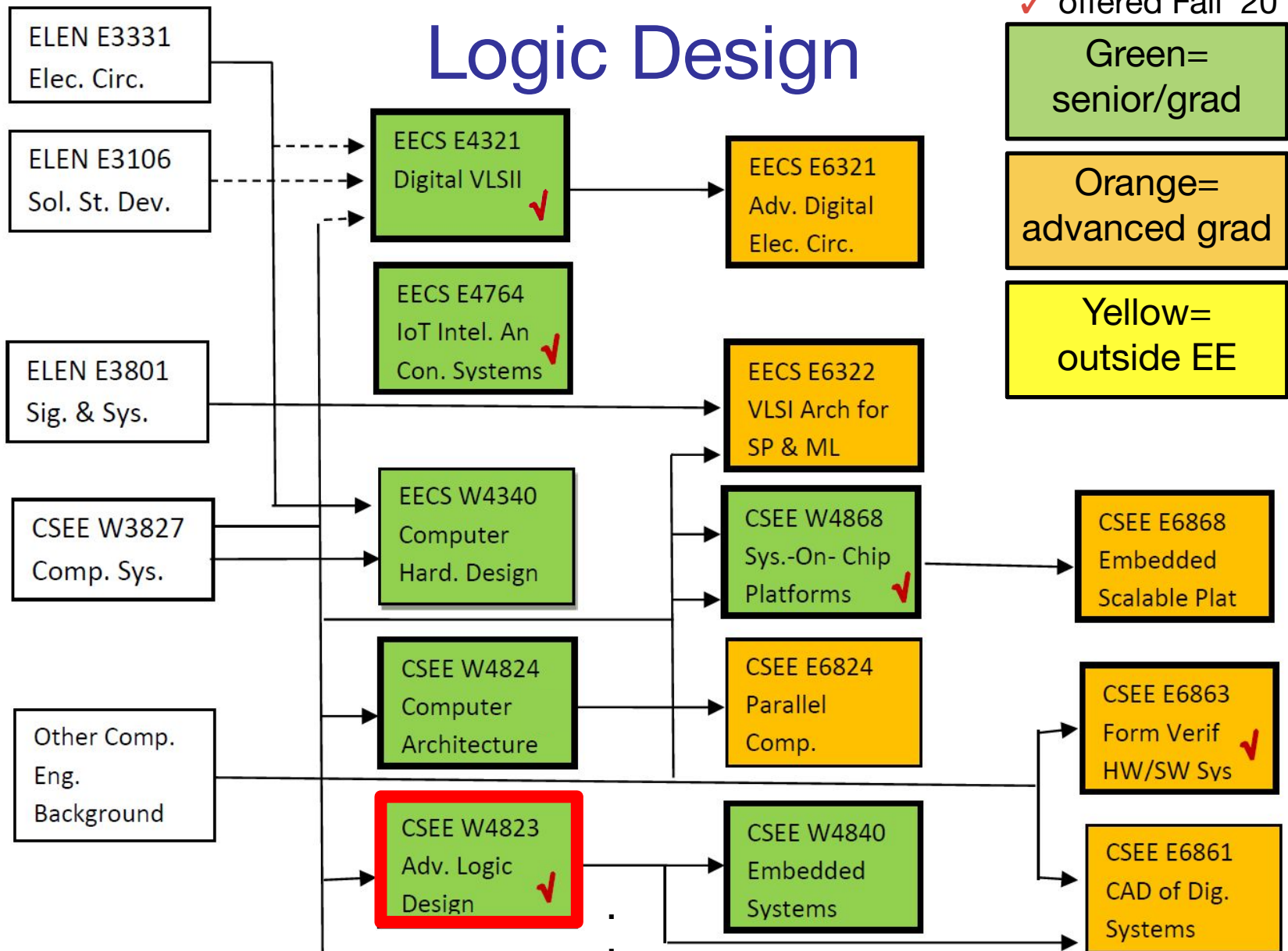
Architecture



COMPUTER ENGINEERING AND COMPUTER SYSTEMS

(Senior/graduate & Advanced graduate courses in EE)

Logic Design



COMPUTER ENGINEERING AND COMPUTER SYSTEMS

(Senior/graduate & Advanced graduate courses in EE)

Legend

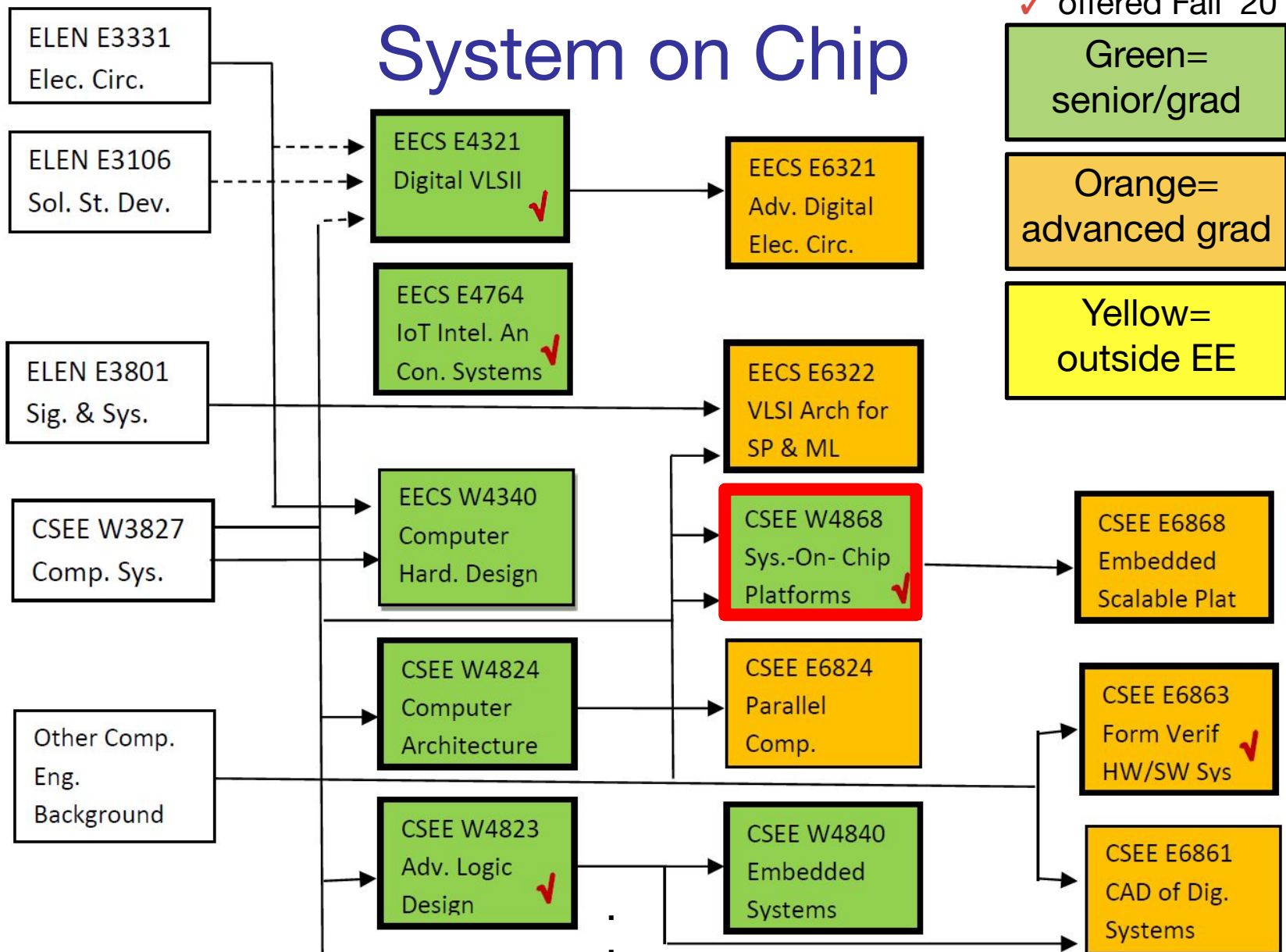
✓ offered Fall '20

Green=
senior/grad

Orange=
advanced grad

Yellow=
outside EE

System on Chip



Questions?

- I will have a Q&A Session
 - See orientation info for all the details