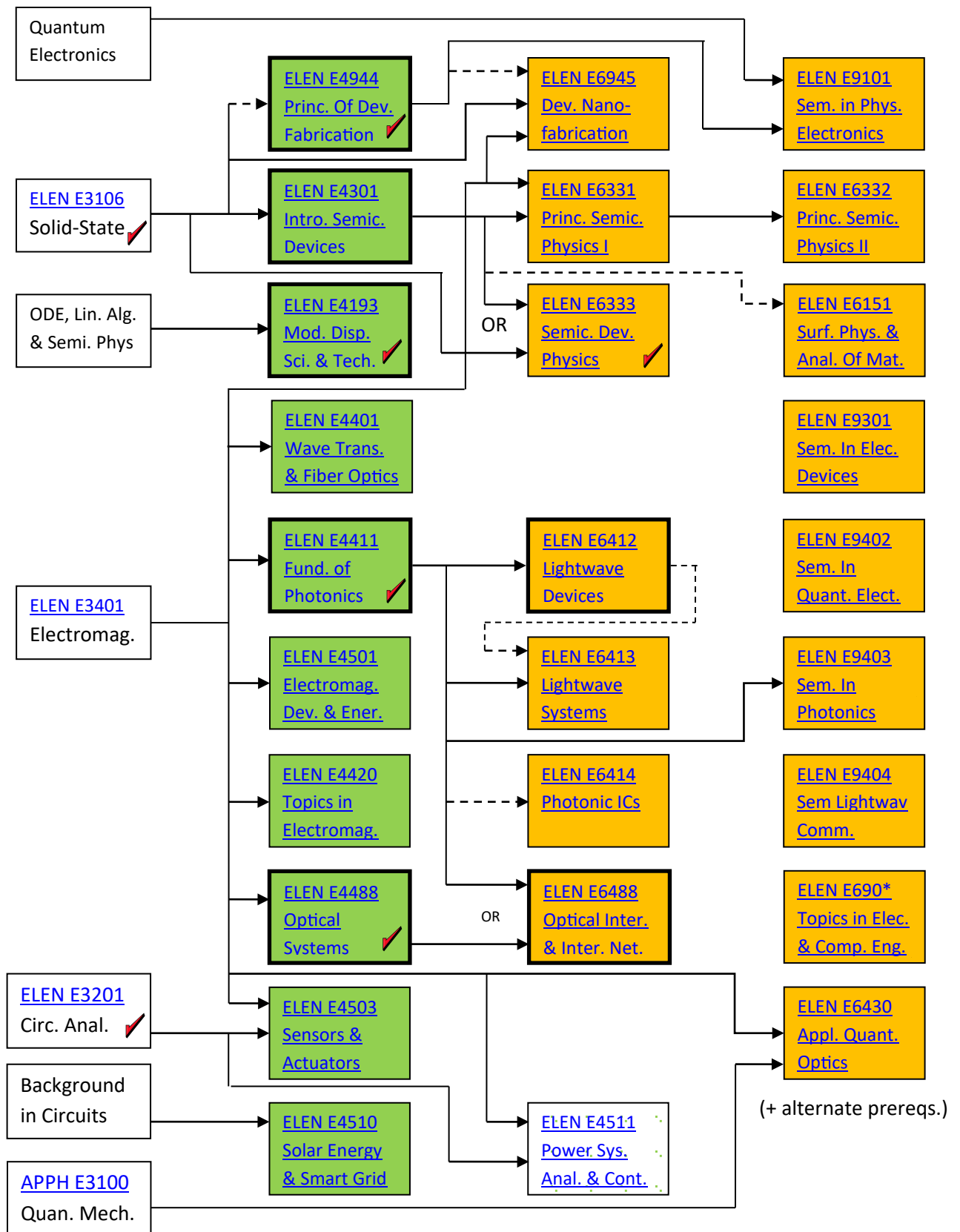


INTEGRATED DEVICES & PHOTONICS
Senior/graduate & Advanced graduate courses in EE



Green = Senior/grad; Orange = Advanced graduate; Bold border = offered regularly;
Dotted lines = recommended preparation; Updated AUG 2020

Recent related topics courses:

- ELEN E6903 Topic: Nanoelectronic Device Simulations (Fall '19)
- ELEN E6905 Topic: Computational Photonics & Quantum Electronics (Fall '17)
- ELEN E6906 Topic: Low-Dimensional Nanoelectronics (Spring '15)
- ELEN E6907 Topic: Emerging Nanoelectronic Devices (Fall '19,'13-'17)
- ELEN E9301 Topic: Theory & Practice of Device Scaling (Spring '17)